

MFPV16-32-L2 ISOLATOR SWITCH (DC1200V)



APPLICATION

L2 Series DC Isolator Switch is applied to 1~20 KW residential or commercial photovoltaic system, placed between photovoltage-modules and inverters. Arcing time is less than 8ms, that keeps solar system more safe. To ensure its stability and long service life. Our products are made by components with optimum quality. Max voltage is up to 1200V DC. It holds a safe lead among similar products.

FLEXIBLE CONFIGURATION

- IP20 Protection Level
- Din rail mounted
- The handle can be locked in the "OFF" position
- 2 Pole, 4 Poles are viable (Single I Double String)
- Standard: IEC60947-3, AS60947.3
- DC-PV2, DC-PV1, DC-21B
- 16A, 25A, 32A, 1200V DC

TECHNICAL PARAMETERS

NAME		DC Isolator Switch L2 Series
Electrical Characteristics		
Type		MFPV16-L2, MFPV25-L2, MFPV32-L2
Function standard		Isolator, Control
Standard		IEC60947-3, AS60947.3
Utilization Category		DC-PV2/DC-PV1/DC-21B
Pole		4P
Rated Frequency		DC
Rated Operational Voltage (Ue)		300V, 600V, 800V, 1000V, 1200V
Rated Operational Voltage (Ie)		See the next page
Rated Insulation Voltage (Ui)		1200V
Conventional Free Air Thermal Current (Ith)		//
Conventional Enclosed Thermal Current (Ith)		Same as Ie
Rated Short-time Withstand Current (Icw)		1kA, 1s
Rated Impulsed Withstand Voltage		8.0kV
Overvoltage Category		II
Suitability for Isolation		Yes
Polarity		No polarity, "+" and "-" polarities could be interchanged
Service Life/Cycle Operation		
Mechanical		18000
Electrical		2000
Installation Environment		
Ingress Protection	Switch Body	IP20
Storage Temperature		-40 C C~+85 C
Mounting Type		Vertically or horizontally
Pollution Degree		3

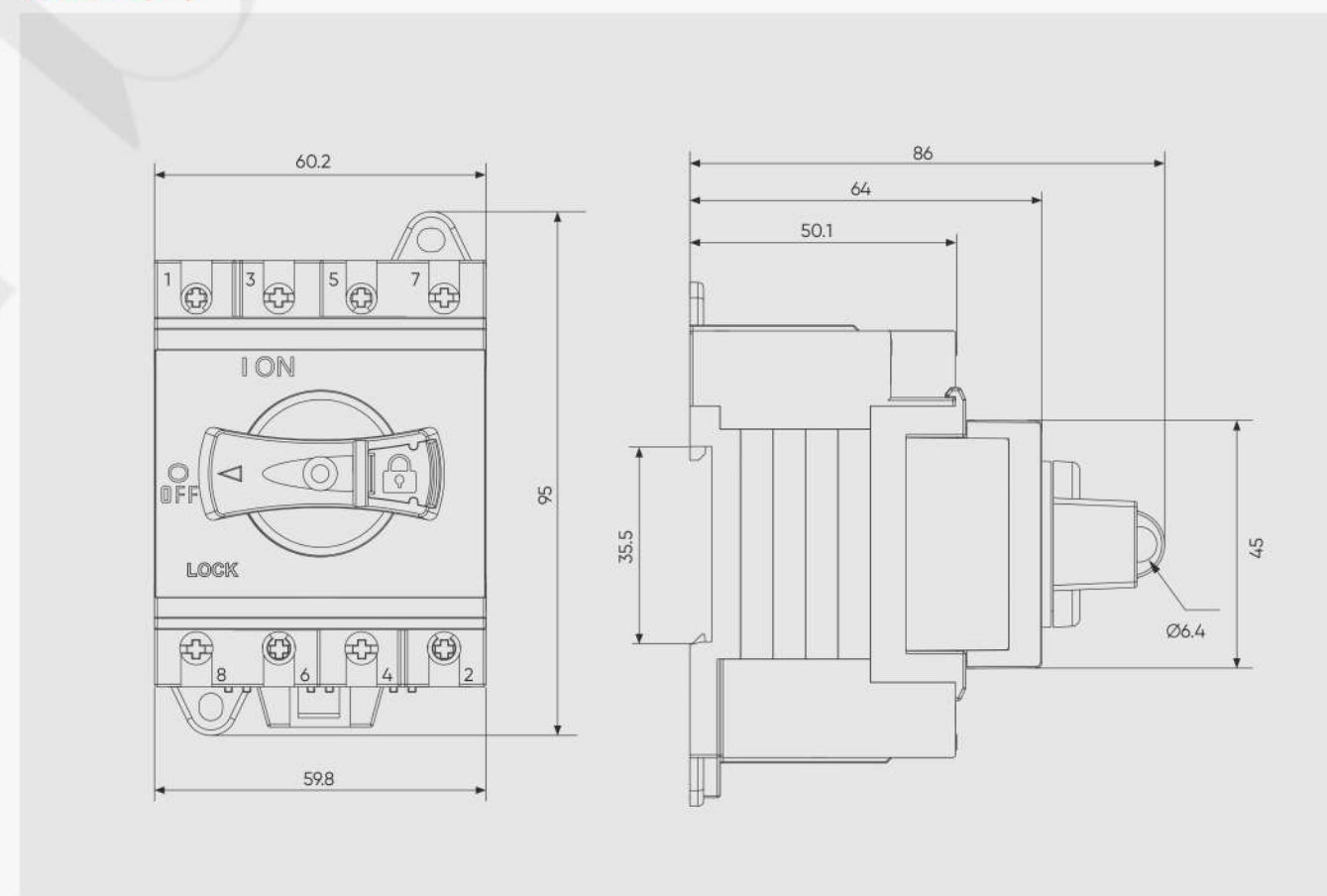
RATED VOLTAGE/RATED CURRENT

WIRING	TYPE	300V	600V	800V	1000V	1200V
2P/4P	MFPV16 series	16A	16A	12A	8A	6A
	MFPV25 series	25A	25A	15A	9A	7A
	MFPV32 series	32A	27A	17A	10A	8A
4T/4B/4S	MFPV16 series	16A	16A	16A	16A	16A
	MFPV25 series	25A	25A	25A	25A	25A
	MFPV32 series	32A	32A	32A	32A	32A
2H	MFPV16 series	35A	35A	/	/	/
	MFPV25 series	40A	40A	/	/	/
	MFPV32 series	45A	40A	/	/	/

SWITCHING CONFIGURATIONS

Type	2-pole	4-pole	2-pole 4 poles in series input and output bottom	2-pole 4 poles in series input and output on top	2-pole 4 poles in series input on top output bottom	2-pole 4 paralleled poles
/	2P	4P	4T	4B	4S	4H
Contacts Wiring graph						
Switching Example						

DIMENSIONS(mm)



MFPV55 SERIES ISOLATOR SWITCH (DC1500V)

CE ISO9001

APPLICATION

MFPV55-L1 Series DC Isolator Switch is used in 1~60 KW solar inverter, 2P for 1 load up to DC 1000V 63A or DC 1500V 40A. Arcing time is less than 8ms, that keeps solar system more safe. Low temperature rising and long service life. For multiple independent MPPTs.

FLEXIBLE CONFIGURATION

- Non-polarity DC Isolator switch
- Modular design, optional 2-10 levels
- Standard: IEC/EN60947-3, AS60947.3
- Utilization Category: DC-PV2



TECHNICAL PARAMETERS

NAME	MFPV55 Series DC Isolator Switch (DV1500V)
Electrical Characteristics	
Function	Isolator, Control
Rated Insulation Voltage (Ui)	1500V
Rated Operational Voltage (Ue)	800V, 1000V, 1200V, 1500V
Rated Impulse Withstand Voltage (Uimp)	8KV
Rated Current (Ie)	63A/55A, 63A/50A, 50A/40A, 40A/20A
Conventional Free Air Thermal Current (Ith)	63A
Conventional enclosed Thermal Current (Ithe)	63A(Type ELR3)
Rated Short-time Withstand Current (Icw)	1.5KA/1s
Rated Short-time Making Capacity (Icm)	2.0KA, peak
Service Life Cycle Operation	
Number Of Cycles Operation (With Current)	300
Number Of Cycles Operation (Without Current)	9700
Operation Rate	120/h
Installation Environment	
Mounting Type	Standard Din Rail/Panel/DoorLock/Enclosed
Tightening Torque Terminal Screws M4, Min.-max	1.2Nm~1.5Nm
Tightening Torque Panel Mounting Nut, Min.-max	2.0Nm~2.5Nm
Tightening Torque M3 Screw The Knob, Min.-max	0.5Nm~0.7Nm
Wiring Rating	2.5mm ² ~10mm ²
Storage Temperature	-40°C~+85°C
Pollution Degree	3
Ip Class Protection	IP20

RATED VOLTAGE/RATED CURRENT

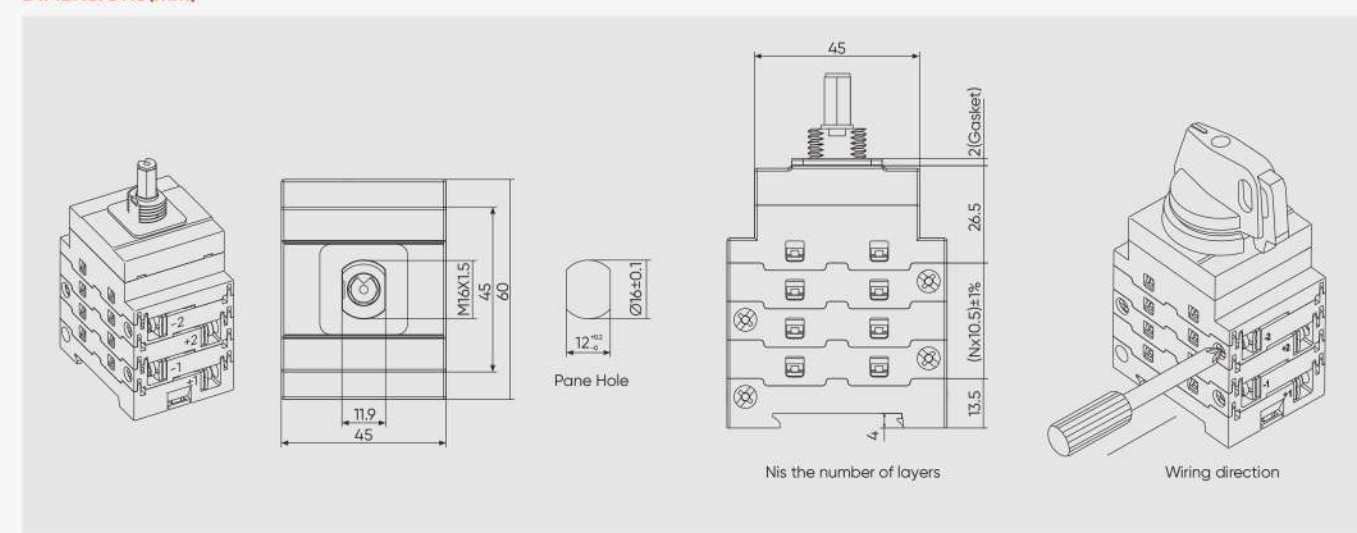
WIRING	TYPE	800V	1000V	1200V	1500V	Pole in series	Number of strings
Type P	MFPV55-L1/2/3/4/6/8/10						
	MFPV55-NL1/2/3/4/6/8/10						
	MFPV55-HM112/3/4/6/8/10	55A	50A	40A	20A	2/3/4/6/8/10	1/2/2/3/4/5
	MFPV55-PM11213/4/6/8/10						
2H	MFPV55-DC1/2/3/4/6/8/10						
	MFPV55-L1/3T/4T/6T/9T						
	MFPV55-NL1/3T/4T/6T/9T						
	MFPV55-HM1/3T/4T/6T/9T	63A	63A	50A	40A	3/4/6/9	1/1/2/3
	MFPV55-PM1/3T/4T/6T/9T						
	MFPV55-DC1/3T/4T/6T/9T						
	MFPV55-ELR3/4T						

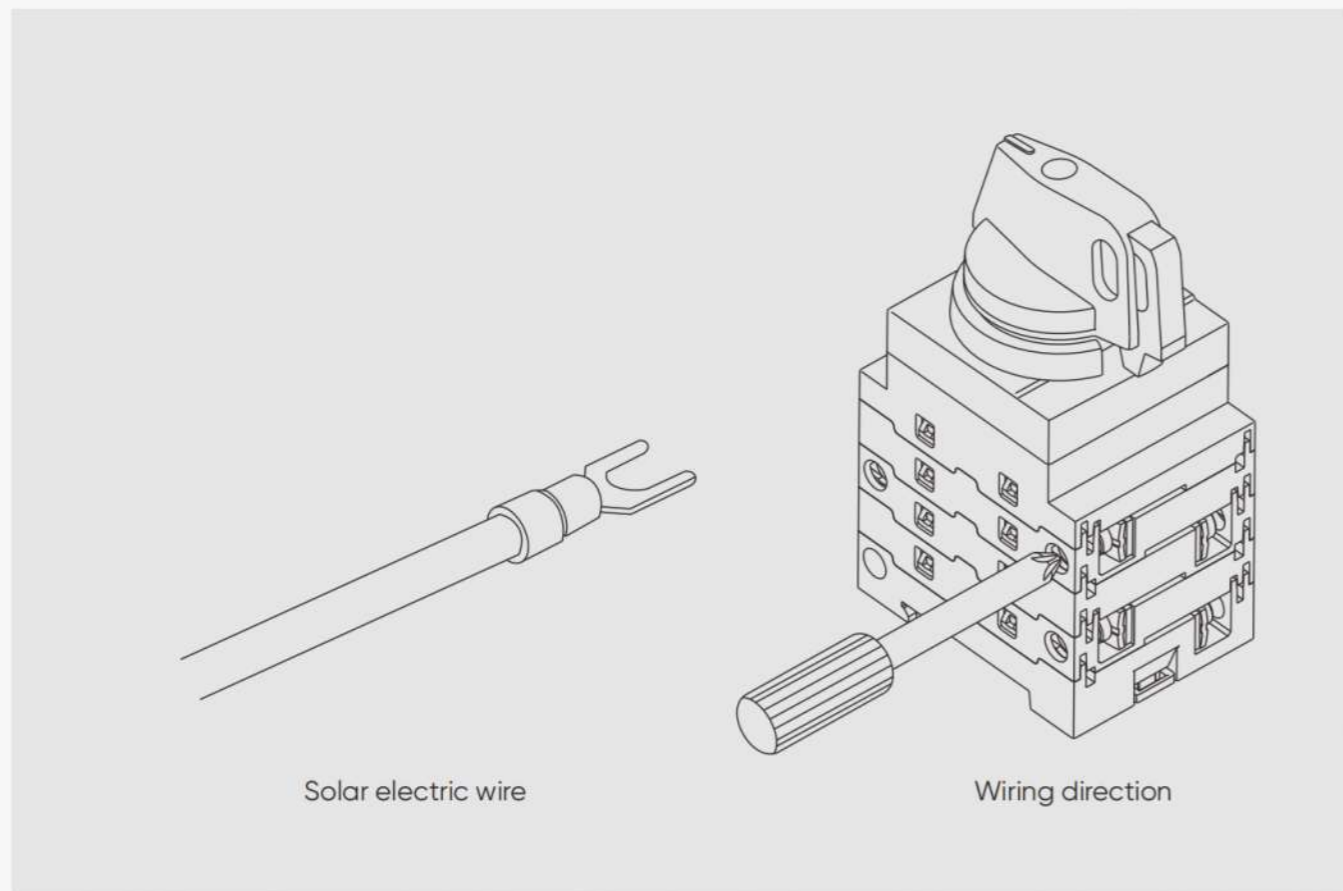
SWITCHING CONFIGURATIONS

TYPE P	2	3	4	6	8	10
Contacts Wiring Diagram	+1 -1 +1 -1	+1 -1 +2 +1 -1 +2	+1 -1 +2 -2 +1 -1 +2 -2	+1 -1 +2 -2 +3 -3 +1 -1 +2 -2 +3 -3	+1 -1 +2 -2 +3 -3 +4 -4 +1 -1 +2 -2 +3 -3 +4 -4	+1 -1 +2 -2 +3 -3 +4 -4 +5 -5 +1 -1 +2 -2 +3 -3 +4 -4 +5 -5
Switching Example						

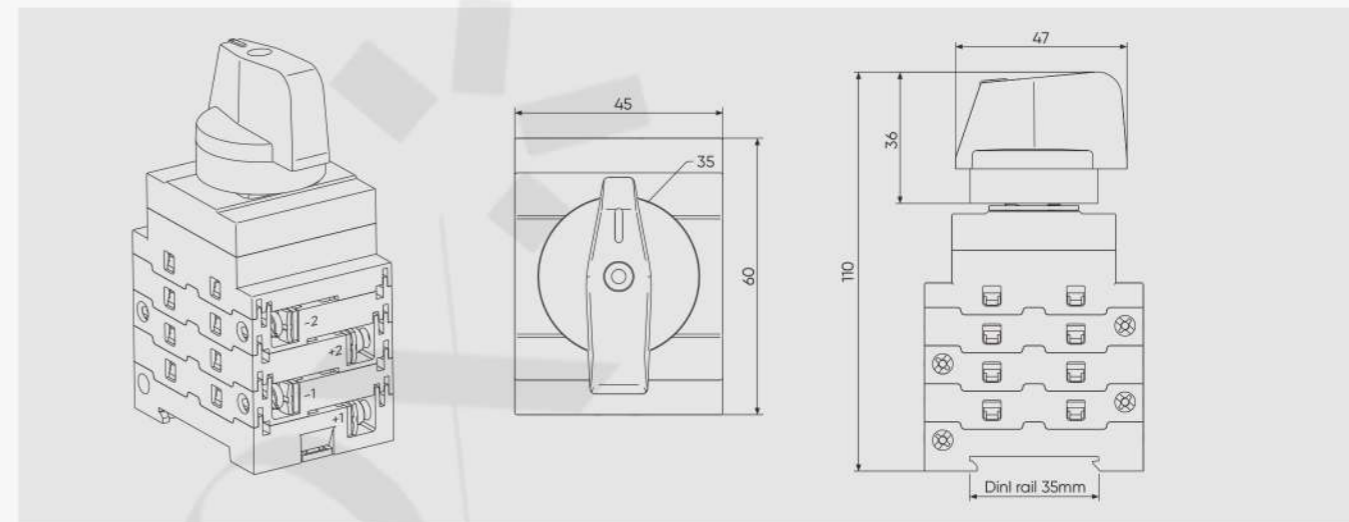
TYPE P	3T	4T	6T	9T
Contacts Wiring Diagram	+1 -1 +2 +1 -1 +2	+1 -1 +2 -2 +1 -1 +2 -2	+1 -1 +2 -2 +3 -3 +1 -1 +2 -2 +3 -3	+1 -1 +2 -2 +3 -3 +4 -4 +5 +1 -1 +2 -2 +3 -3 +4 -4 +5
Switching Example				

DIMENSIONS(mm)

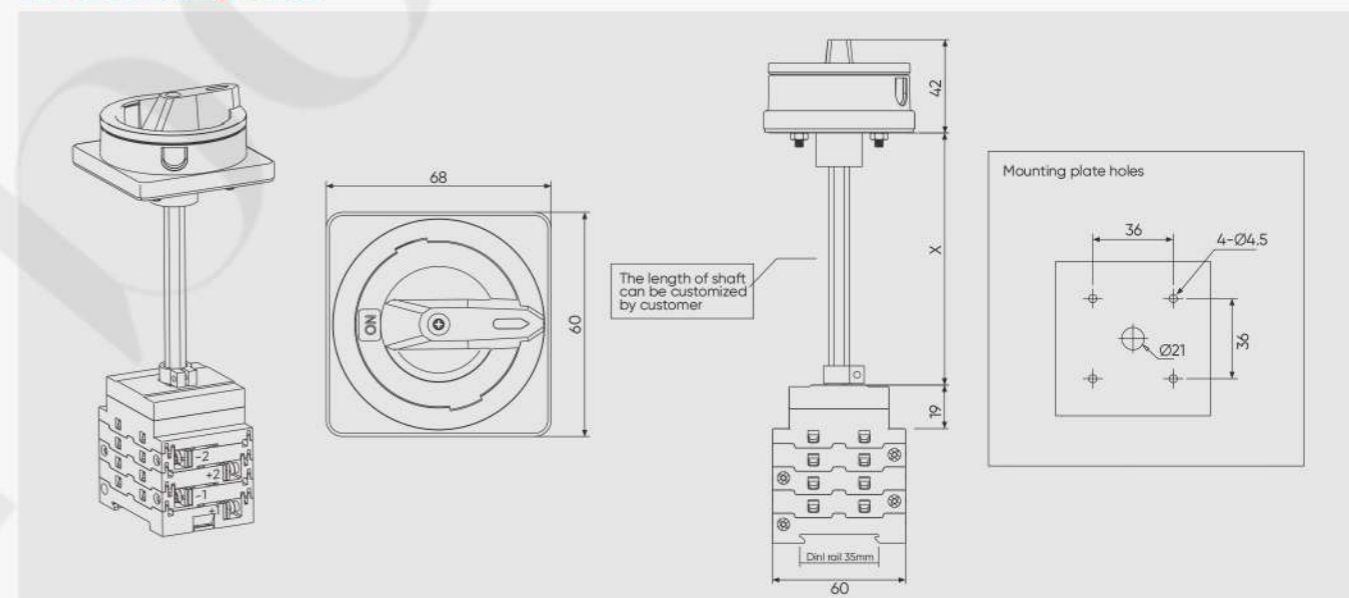




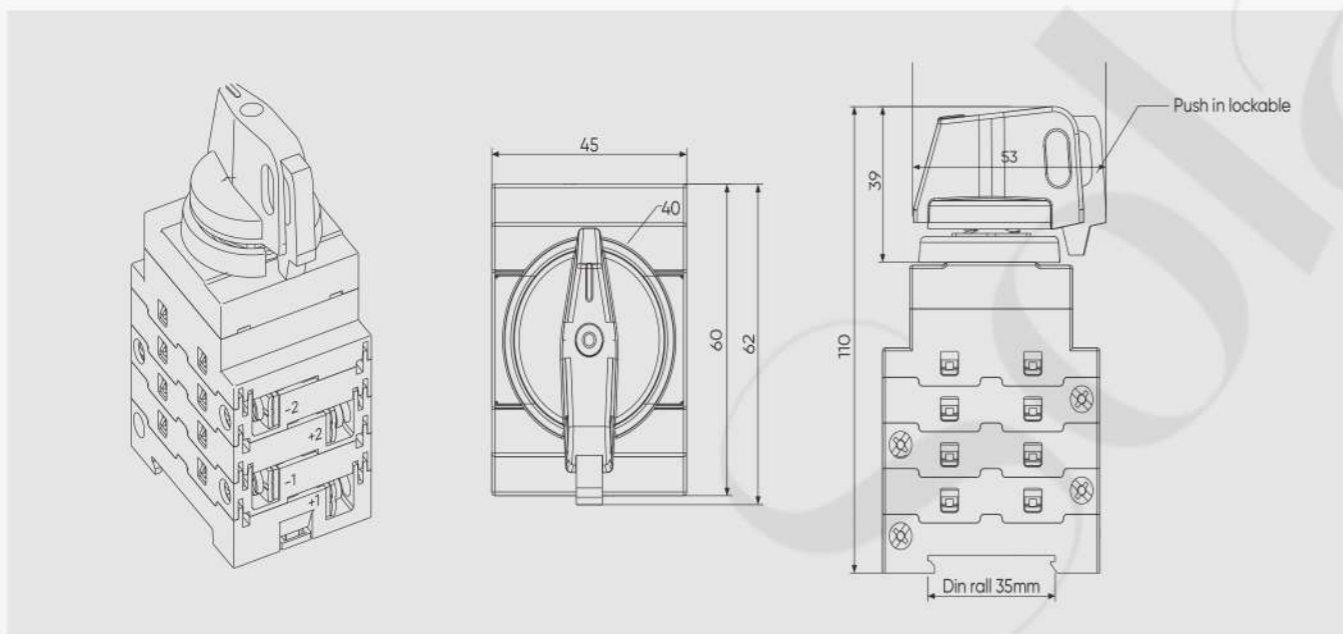
NL1 TYPE(rail mounting without lock)
HM1 TYPE(single-hole mounting)



L1 TYPE(rail mounting with lock)



L1 TYPE(rail mounting with lock)



PM1 TYPE(panel mounting)

